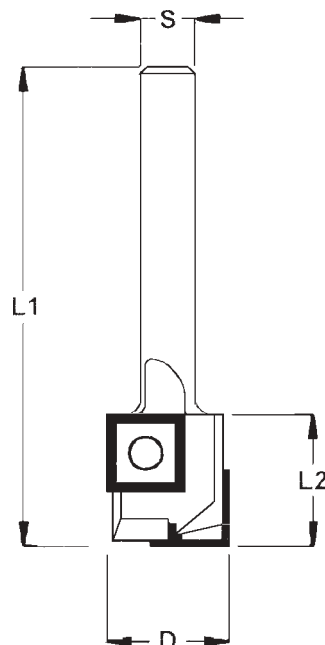


# RIFILATORI CON COLTELLINI REVERSIBILI IN HW

SHANK-TYPE EDGE TRIMMING CUTTERS

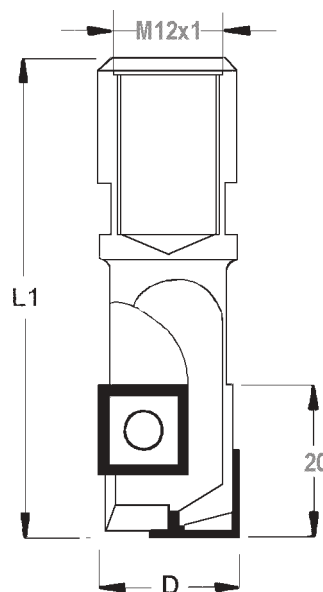
## 349

Codice HW	D. mm.	L1 mm.	L2 mm.	S mm.	Z
349.15	15	50	20	6	2+1
349.15B	15	70	20	8	2+1
349.15D	15	70	20	12	2+1
349.16	16	50	20	6	2+1
349.16B	16	70	20	8	2+1
349.16D	16	70	20	12	2+1
349.18	18	50	20	6	2+1
349.18B	18	70	20	8	2+1
349.18D	18	70	20	12	2+1
349.20	20	50	20	6	2+1
349.20B	20	70	20	8	2+1
349.20D	20	70	20	12	2+1
349.22	22	50	20	6	2+1
349.22B	22	70	20	8	2+1
349.22D	22	70	20	12	2+1



## 350

Codice HW	D. mm.	L1 mm.	L2 mm.	S mm.	Z
350.15	15	65	20	M12	2+1
350.16	16	65	20	M12	2+1
350.18	18	65	20	M12	2+1
350.20	20	65	20	M12	2+1
350.22	22	65	20	M12	2+1



### Ricambi - Spare parts

art. 349 - 350

000/183	12x12x1.5	Coltellino	Turnover knife
V4A	M4x6	Vite	Screw
T5	Torx	Chiave T5	Wrench T5